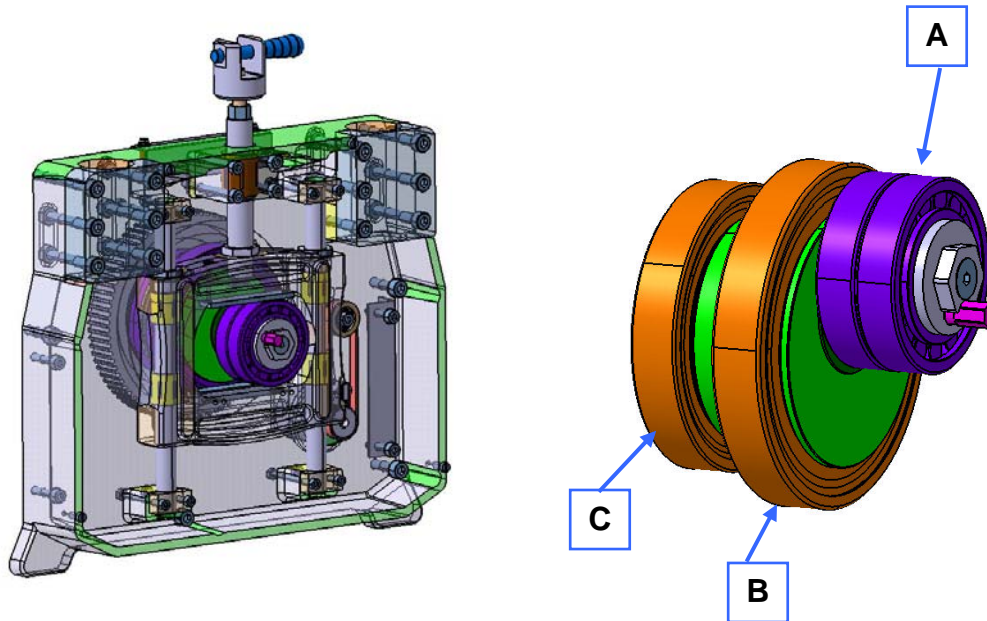


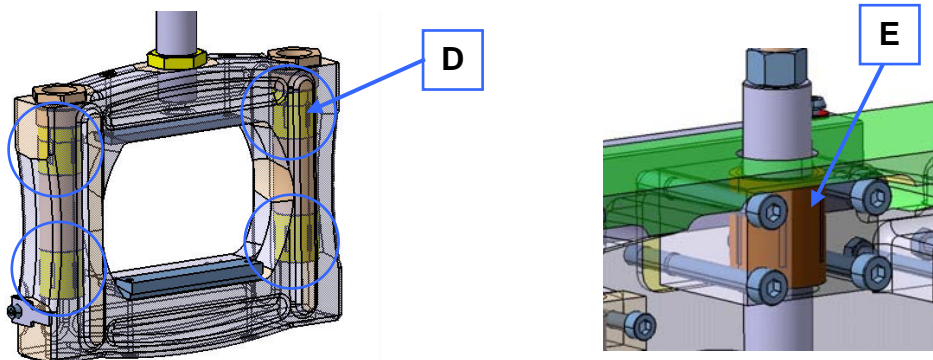
## Bearings list in DINO 4-60 and DINO 55-60

### a) SCOTCH YOKE mechanism



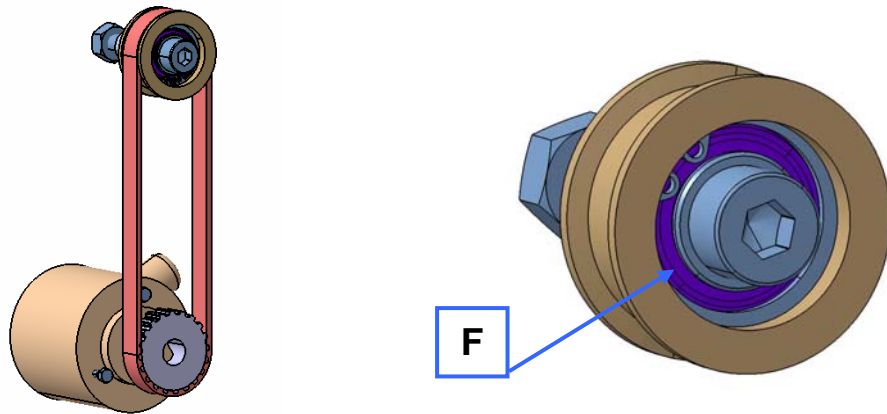
#### Bearings description:

- A: NUP – 209 – 2RS Cylindrical roller bearings
- B: 6020 – 2RS – Deep groove ball bearings
- C: 6016 – 2RS – Deep groove ball bearings



- D: KH2030 Linear bearing
- E: KH2540 Linear bearing

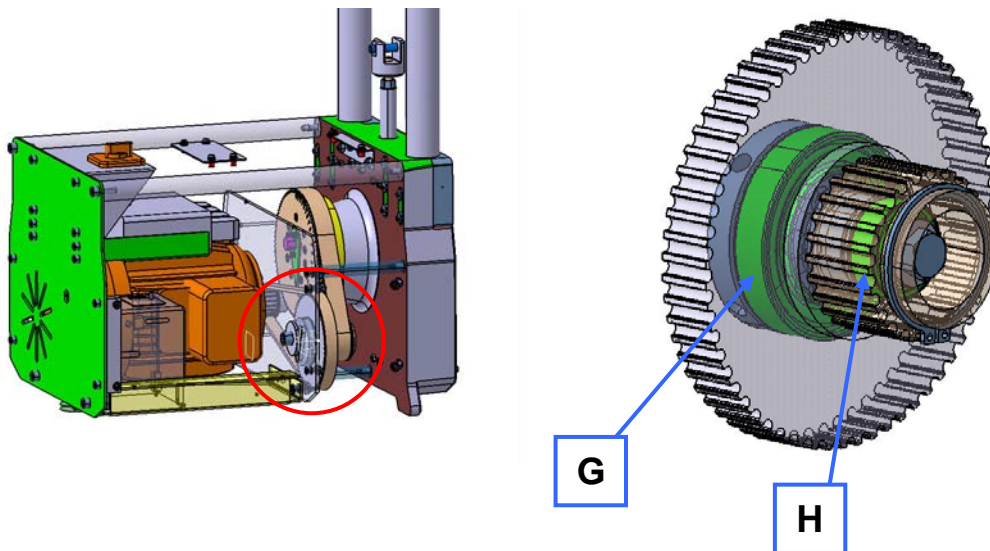
## b) Encoder assembly



Bearings description:

- F: 61901 – 2RS – Deep groove ball bearings

## c) Reduction system – Double pulley



Bearings description:

- G: 6009 – 2RS - Deep groove ball bearings
- H: 6202 – 2RS - Deep groove ball bearings